

LAMP[®]

HES INSTALLATION MANUAL

FOR HES3D-90 CONCEALED HINGE

Thank you for selecting our product. Before starting installation, please read this manual thoroughly to ensure correct installation. Please keep this manual at hand for future reference.

ABOUT THE PRODUCT

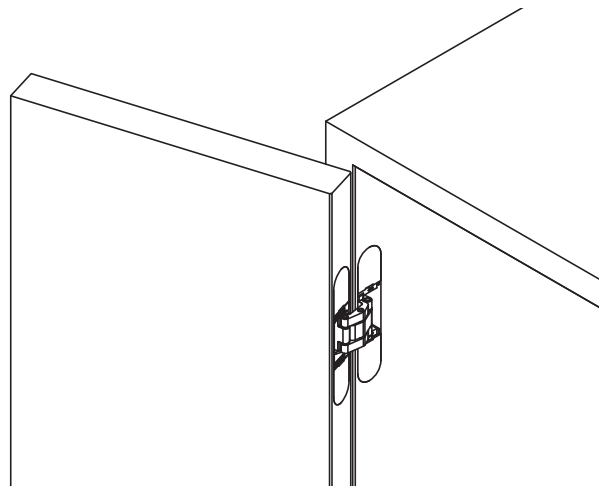
- This product is a concealed hinge for furniture to be recessed in the cut out on door and side board.
- 3 way adjustment function allows vertical, horizontal, and depth adjustment.

DOOR SPECIFICATIONS

Min. Door thickness	23 mm
Max. Door weight	12kg per 2 hinges, 16kg per 3 hinges
Max. Door size	Width: 600 mm, Height: 1500 mm

COMPONENT PARTS (PER BOX)

• Concealed hinge	2 pcs
• Screw cover	4 pcs x 2 bags
• Template	1 pc
• Countersunk head tapping screw 4x20	4 pcs x 2 bags
• Hex Key 2mm	1 pc



FOR YOUR SAFE WORK AND CORRECT INSTALLATION

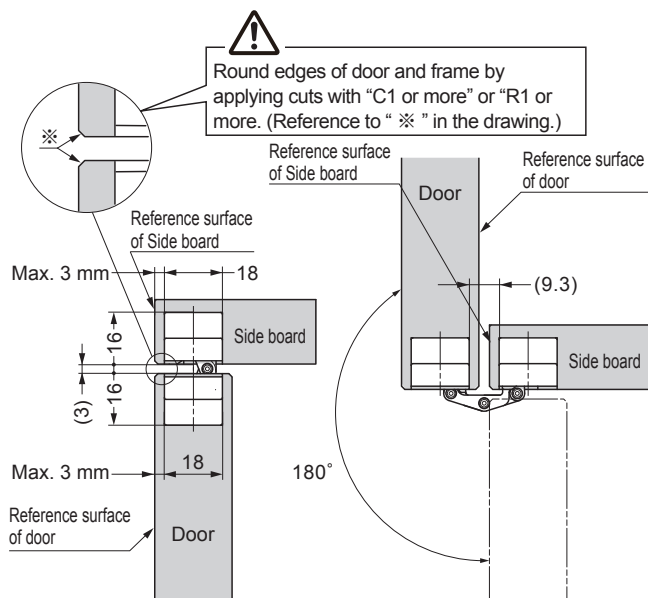
Meaning of symbols



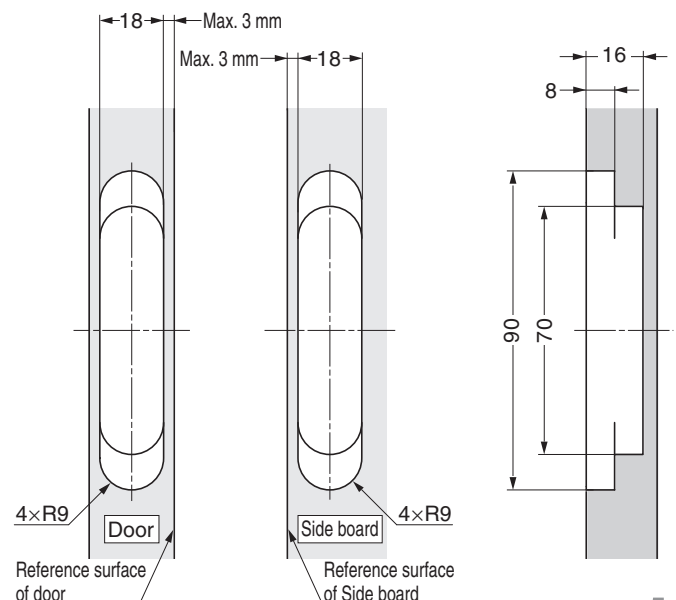
⚠ Caution: If not followed, injury or damage may result.

- ⚠ It is necessary to manufacture the cabinet with sufficient strength so that it endures the weight of the door and any impact upon opening/closing the door. Only use designated screws and ensure that they are fastened firmly. A cabinet with poor strength or loose screws might result in the door falling and causing injury.
- ⊘ Do not try to use this product for anything other than its original purpose. Do not use any part for applications outside of its specification.
- ⊘ Use in conjunction with door damper (except DC-200) or stay is not recommended.
- ⚠ Make sure to follow the designated dimensions, specifications, and horizontal/vertical angles. Make sure that the cabinet is not warped, since it may affect the movement of the door.
- ⚠ This product is a part for furniture fittings. After installation, make sure to test the finished product thoroughly to ensure that it is well-functioning and safe. Please inform the end user about general precautions and safety to prevent improper use.
- ⚠ Make sure to check the screws for slack at regular intervals (one month from first usage, half a year, and then one time every year is recommended).

INSTALLATION DRAWING (EXAMPLE)

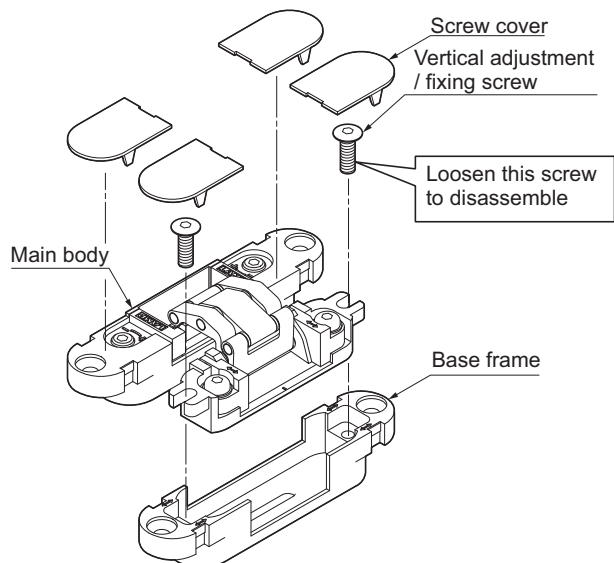


CUT OUT DRAWING FOR DOOR AND SIDE BOARD

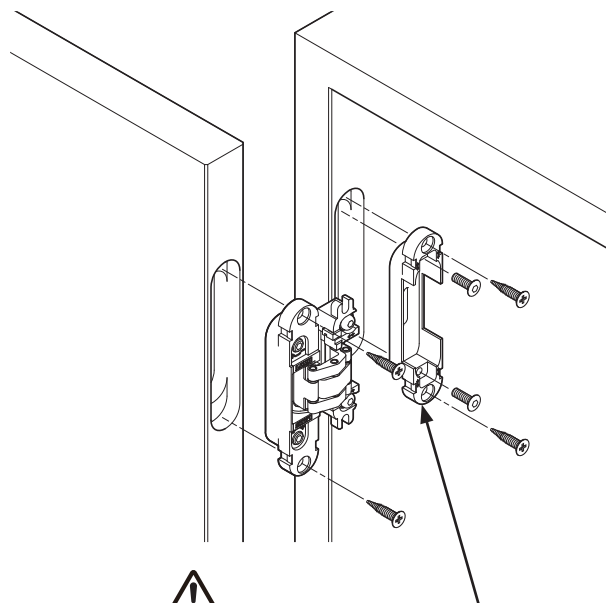


INSTALLATION PROCEDURE

1 Disassembly of Hinge

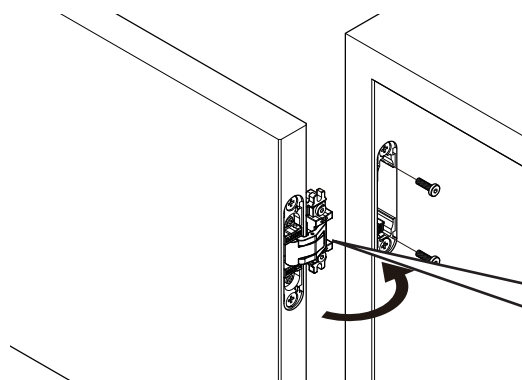


2 Installing Hinge to Door and Cabinet



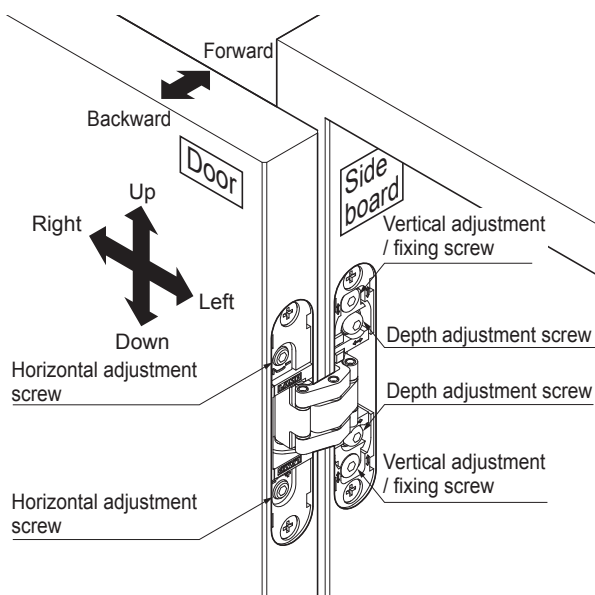
! Before installing Base frame to Cabinet, check the mounting direction by coupling it with Hinge main body.

3 Hanging Door



While holding the door, insert Hinge main body into the Base frame on Side board. Keep holding the door and fix the hinge with the fixing screws at once.

ADJUSTING DOOR POSITION



- When adjusting the vertical position or the depth, loosen the screws 360-degree, then hold the door at the suitable position and re-tighten the screws. Use wedges to support the door. (Tightening torque is 1.2 N·m.)
 - When adjusting horizontal position, turn Horizontal adjustment screw. (There are two screws per hinge.)
- The gap between Door and Side board will be expanded by turning the screw clockwise.

! Do not remove the depth adjustment screw. The door may be dropped and cause injury.

! Tighten adjustment screws within the tightening torque so as not to damage the screws.

! When adjusting horizontal position, turn both screws little by little, same amount. The hinge may be broken if you keep turning one screw only.

! Horizontal adjustment range is $\pm 1.5\text{mm}$. When turning the screw to the right, if you move the part more than 1.5mm the cover cannot be put on, since the part protrudes. If you still turn the screw, the door will be dropped.

SUGATSUNE KOGYO CO.,LTD
Tokyo, JAPAN
Phone: +81 (0)3 3866 2260 E-mail:export@sugatsune.co.jp

SUGATSUNE KOGYO (UK) LTD
Reading, UK
Phone: +44 118 9272 955 E-mail:sales@sugatsune.co.uk

SUGATSUNE SHANGHAI Co., LTD
Shanghai, CHINA
Phone: +86 21 3632 1858 E-mail:lamp@sugatsune.com.cn

Guangzhou, CHINA
Phone: +86 20 6639 3552 E-mail:lamp@sugatsune.com.cn

SUGATSUNE AMERICA, INC
California, USA
Phone: +1 310 329 6373 E-mail:sales@sugatsune.com

Chicago, USA
Phone: +1 312 461 1081 E-mail:chicagoshowroom@sugatsune.com.

SUGATSUNE EUROPE GmbH
Düsseldorf, GERMANY
Phone: +49 211 53812900 E-mail:sales@sugatsune.eu

SUGATSUNE KOGYO INDIA PRIVATE LIMITED
Mumbai, INDIA
Phone: +91 22 28314490/91 E-mail:sales@sugatsune.in

SUGATSUNE CANADA, INC.
Phone: +1 514 312 5267 E-mail:support@sugatsune.ca

ISO9001(Japan Offices and Sugatsune America) and ISO14001(Chiba Production division and Logistics center), certified.

2019.05 0912-3